

SCALE 1:250.000



FIS	Roma Information	125.750
APP	Roma Arrivals	125.500
APP	Roma Director	131.250
TWR	Ciampino TWR	(119.400)
TWR	Ciampino TWR	120.500
ATIS	Ciampino Arrival and Departure Information	122.425

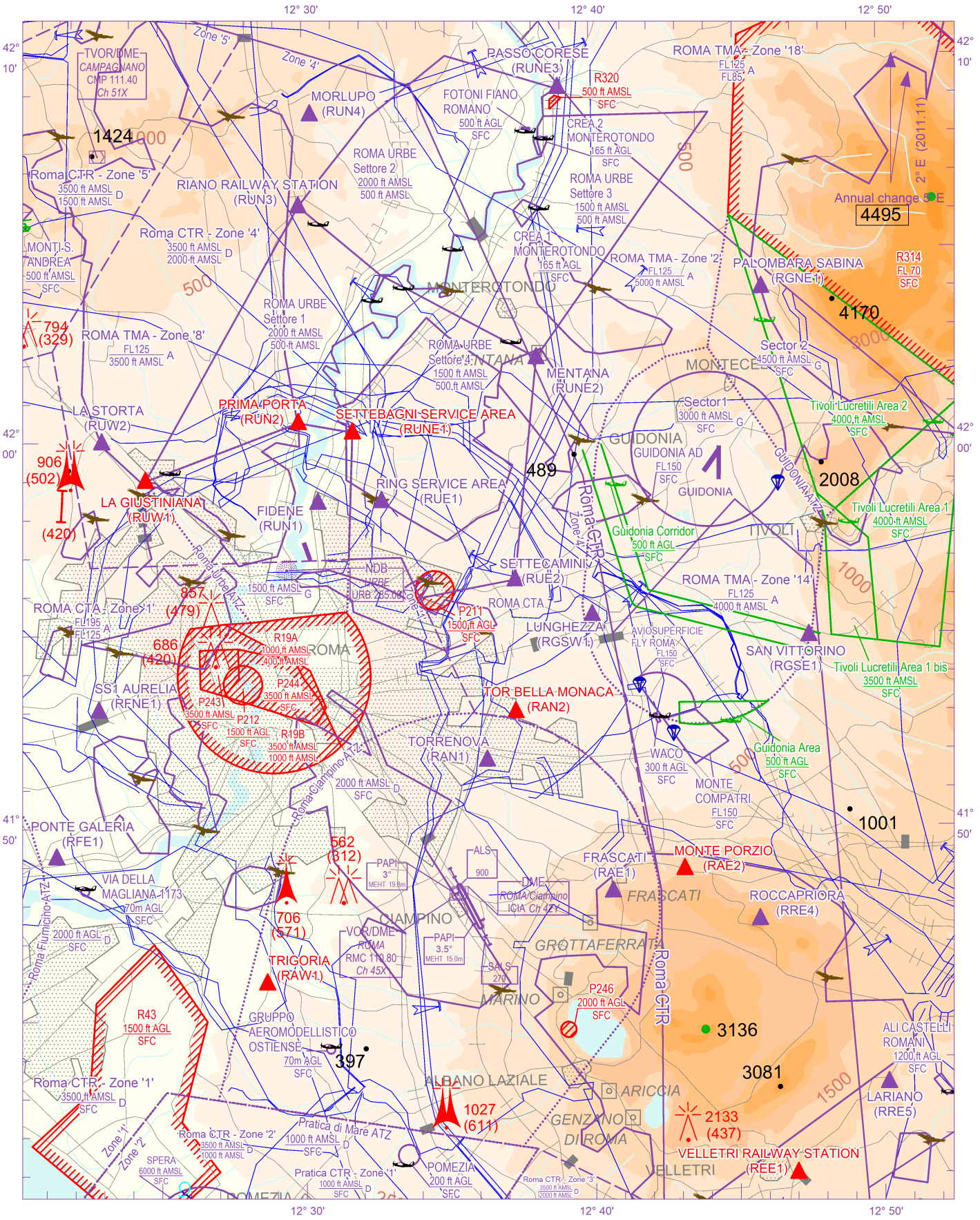
AD ELEV

427

L
I
R
A

ROMA/CIAMPINO

CHANGE: ROMA URBE INBOUND AND OUTBOUND ROUTES COMPLETELY WITHDRAWN AND NEW NATURAL PARKS AND AREAS SUBJECT TO NATURAL FAUNA ADDED



AIRSPACE CLASSIFICATION See AIP ENR 1.4	REMARK	WARNING
TRANSITION ALT 6000 FT		
ELEV AND ALT IN FT IF NOT OTHERWISE INDICATED		

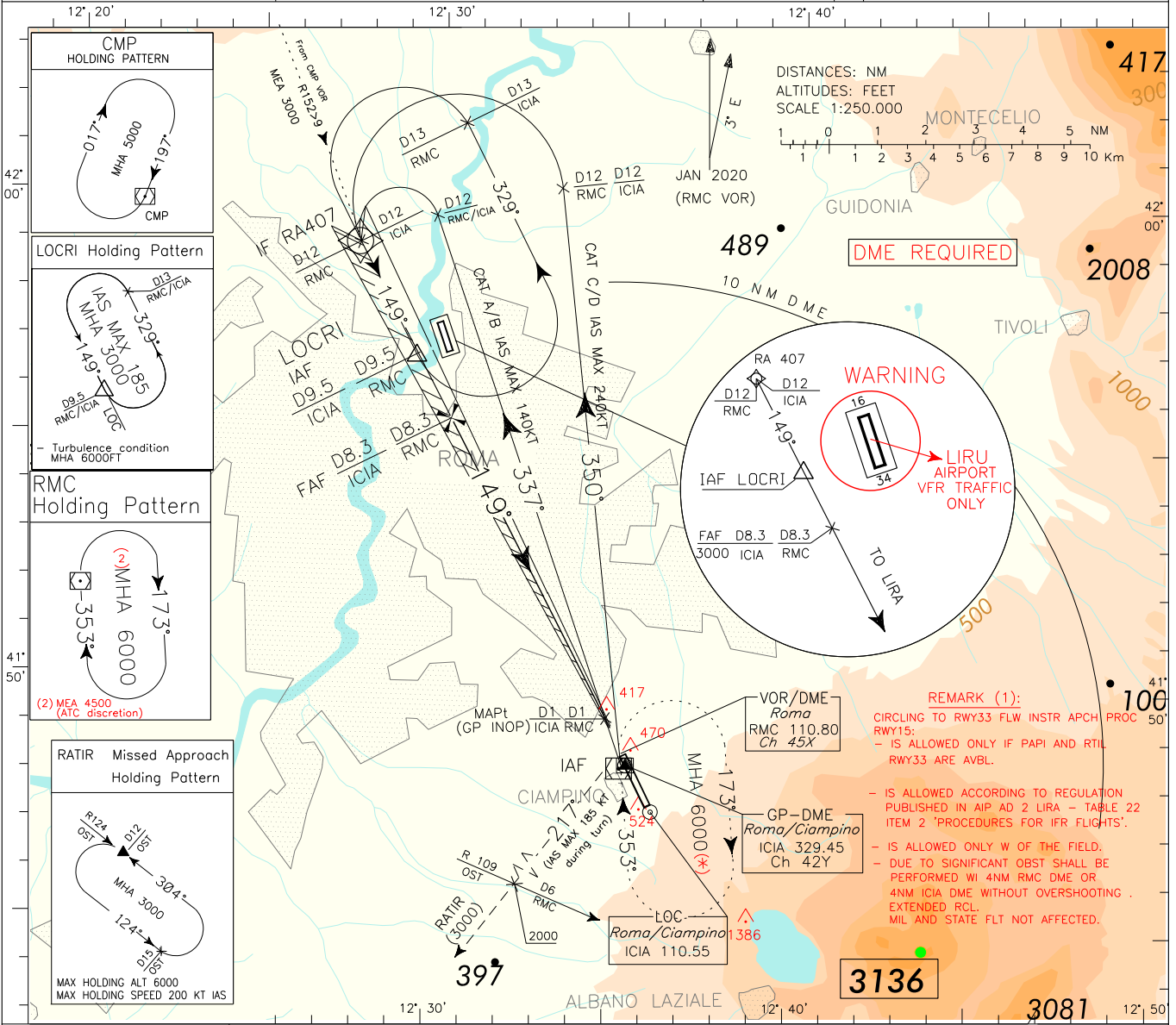
DOC.8168-ED.6-2014-AMDT 8

CHANGE: UPDATED CHART

REMARK: RWY 15 traffic pattern right.

APP	Roma Arrivals	125.500
TWR	Roma Director	131.250
ATIS	Ciampino TWR	120.500 (119.400)
	Ciampino Arrival and Departure Information	122.425

AD ELEV	427	LIRA	ROMA/CIAMPINO
			ILS or LOC-Z RWY 15

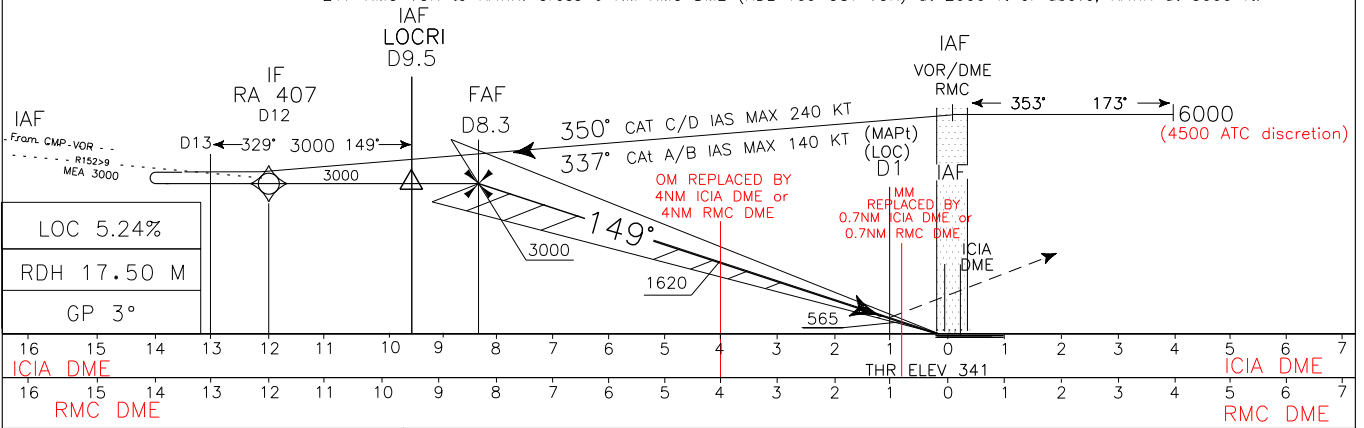


DME REQUIRED

WARNING
LIRU AIRPORT VFR TRAFFIC ONLY

REMARK (1):
CIRCLING TO RWY33 FLW INSTR APCH PROC RWY15:
- IS ALLOWED ONLY IF PAPI AND RTIL ITEM 2 'PROCEDURES FOR IFR FLIGHTS'.
- IS ALLOWED ACCORDING TO REGULATION PUBLISHED IN AIP AD 2 LIRA - TABLE 22
- IS ALLOWED ONLY W OF THE FIELD.
- DUE TO SIGNIFICANT OBST SHALL BE PERFORMED W/ 4NM RMC DME OR 4NM ICIA DME WITHOUT OVERSHOOTING EXTENDED RCL. MIL AND STATE FLT NOT AFFECTED.

TRANSITION ALT 6000 MISSED APPROACH: Continue runway heading climbing to 3000 ft. At 750 ft turn right (IAS MAX 185 kt during turn) on RDL 217 RMC VOR to RATIR. Cross 6 NM RMC DME (RDL 109 OST VOR) at 2000 ft or above, RATIR at 3000 ft.

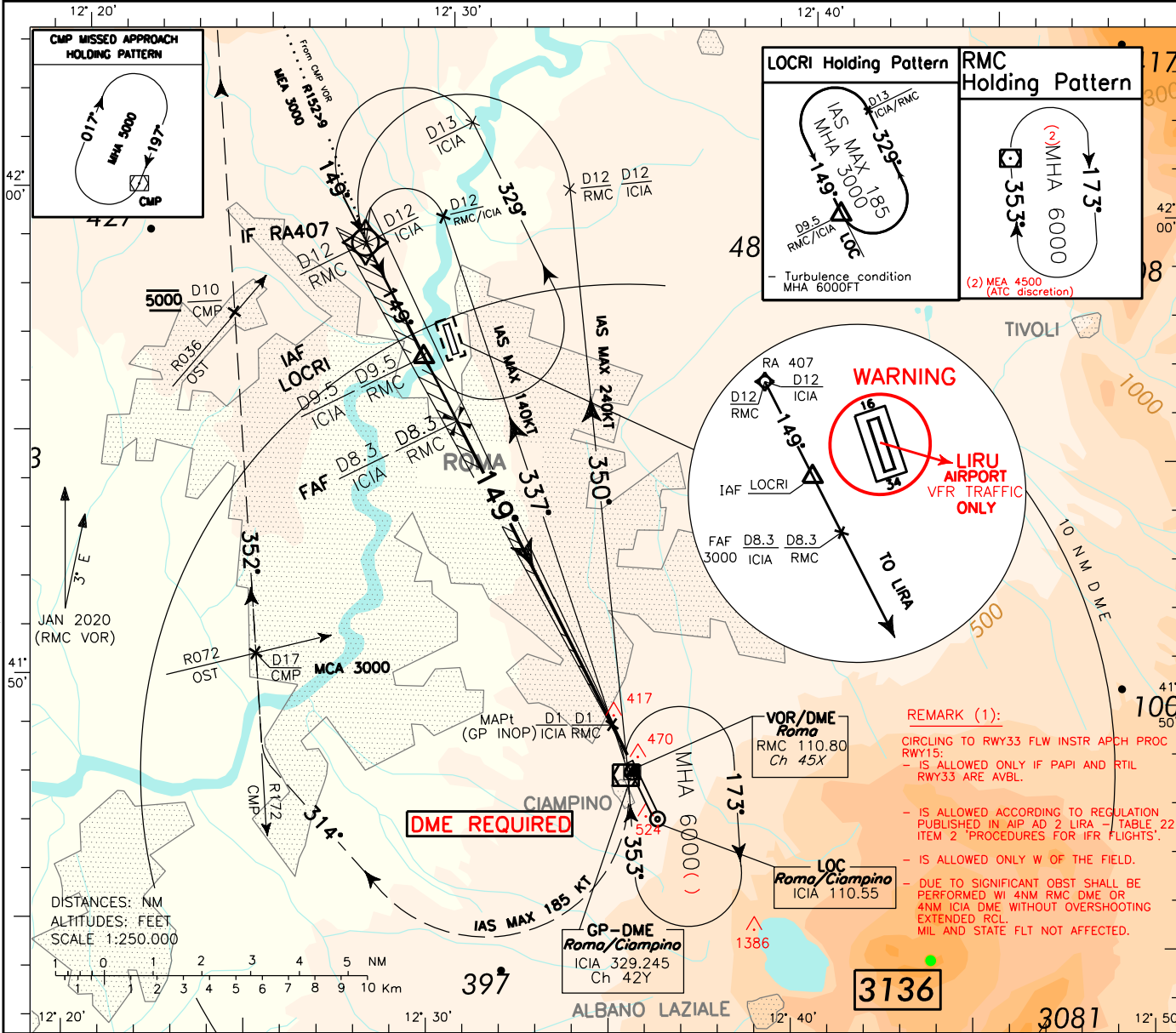


OCA (OCH)		A	B	C	D	<p>WARNING PILOT SHALL PAY ATTENTION TO COMPLY WITH SPEED RESTRICTION AS FOLLOWS: - IAS MAX 180KT AT 10NM FROM THR. - IAS MAX 160KT AT 6NM FROM THR. FOR MORE DETAILS SEE ENR 2.1.1.2-6</p>	GS	FT PER MIN	DIST ICIA DME or RMC DME	ALT(HGT)	MNM SECT ALT RMC	VOR
STRAIGHT IN APPROACH	ILS CAT I	700 (359)	710 (369)	720 (379)	730 (389)		80	425	6 NM	2255(1914)		
	LOC	750 (409)					100	530	5 NM	1940(1599)		
	WARNING: In case of GP INOP timing not allowed for defining the MAPt.							120	635	4 NM		1620(1279)
CIRCLING (1)		1100(673)	1200(773)	1700(1273)	1830(1403)	140	740	3 NM	1300(959)			
						160	850	2 NM	985(644)			

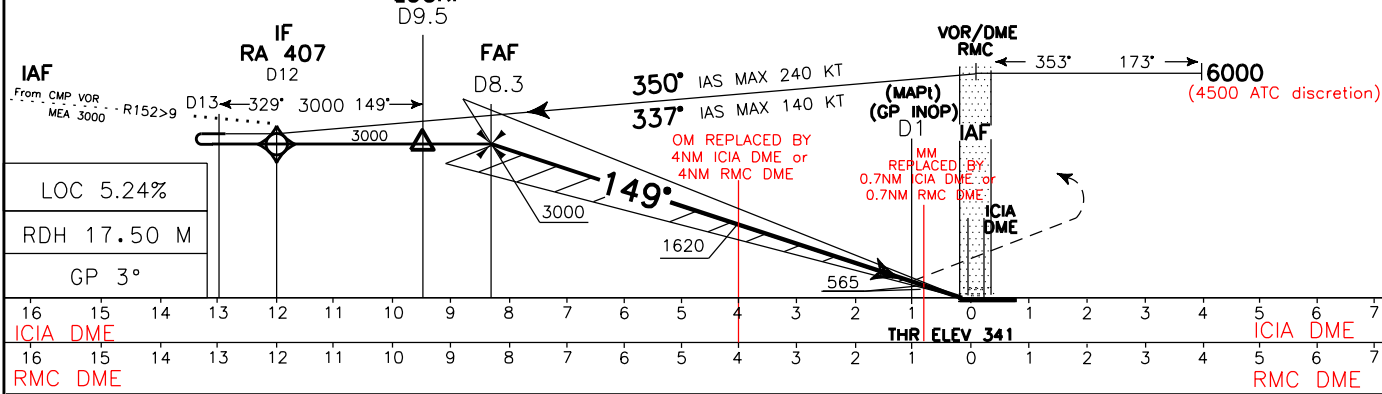
DOC.8168-ED.6-2014-AMDT 8

CHANGE: ROM VOR/DME RENAMED RMC

REMARK: RWY 15 traffic pattern right.	APP Roma Arrivals Roma Director TWR Ciampino TWR ATIS Ciampino Arrival and Departure Information	125.500 131.250 120.500 (119.400) 122.425	AD ELEV 427	L I R A	ROMA/CIAMPINO ILS or LOC-Y RWY 15
---------------------------------------	--------------------------------------------------------------------------------------------------------------------------------	----------------------------------------------------	-----------------------	------------------	---------------------------------------------



TRANSITION ALT 6000 **MISSED APPROACH:** Continue runway heading climbing to 5000 ft. At 750 ft turn right (IAS MAX 185 kt), on TR 314° to intercept and follow RDL 172 CMP VOR bound to CMP VOR/DME climbing to 5000 ft. Cross RDL 172/17 NM CMP VOR/DME (RDL 072 OST VOR) at 3000 ft or above. Cross RDL 172/10 NM CMP VOR/DME (RDL 036 OST VOR) at 5000 ft steady.

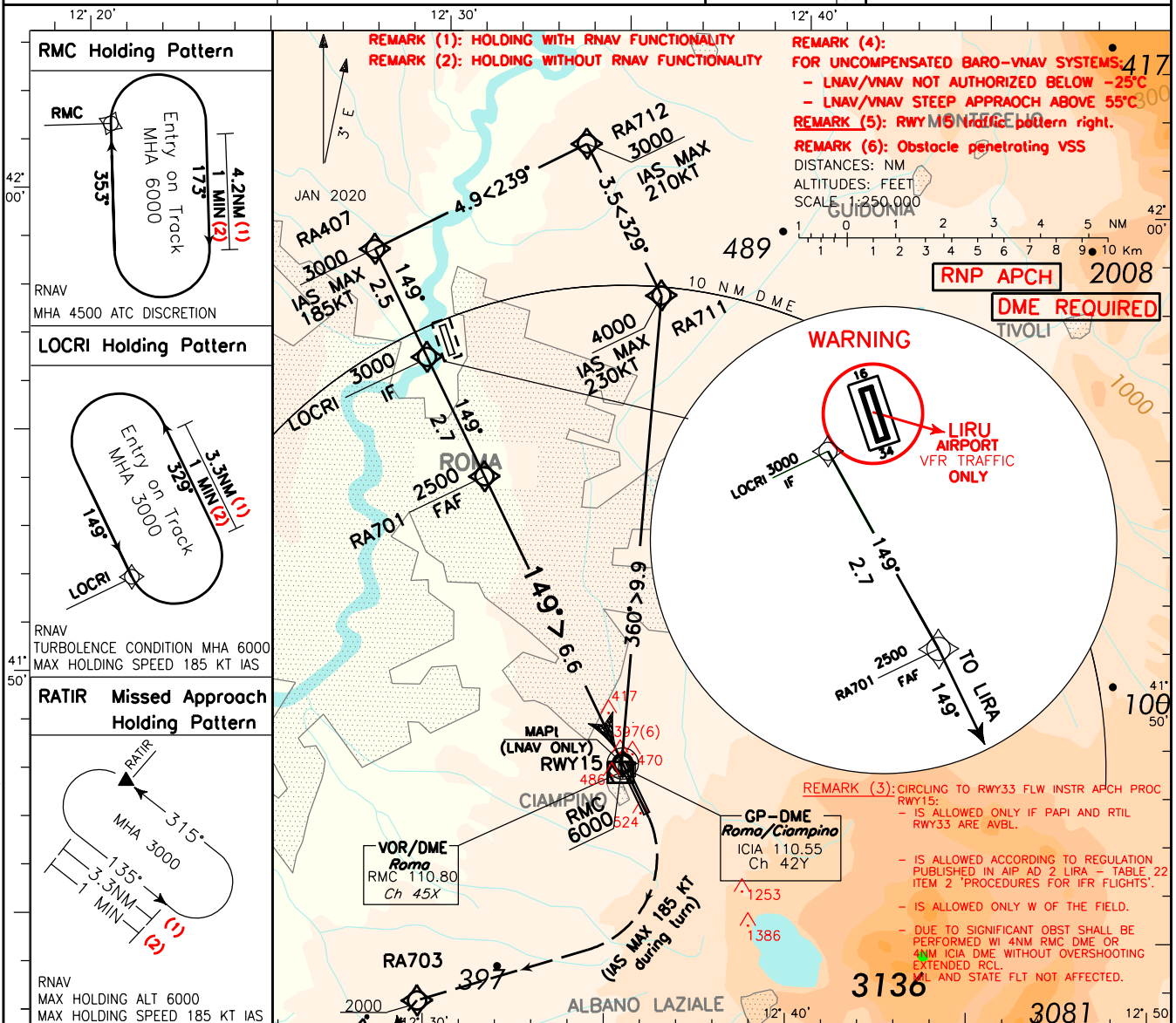


STRAIGHT IN APPROACH	ILS CAT I	700 (359)	710 (369)	720 (379)	730 (389)	WARNING PILOT SHALL PAY ATTENTION TO COMPLY WITH SPEED RESTRICTION AS FOLLOWS: - IAS MAX 180KT AT 10NM FROM THR. - IAS MAX 160KT AT 6NM FROM THR. FOR MORE DETAILS SEE ENR 2.1.1.2-6	GS	FT PER MIN	DIST ICIA DME or RMC	ALT(HGT)	MNM SECT ALT RMC VOR
		750 (409)					80 425 6 NM 2255(1914) 100 530 5 NM 1940(1599) 120 635 4 NM 1620(1279) 140 740 3 NM 1300(959) 160 850 2 NM 985(644)				
CIRCLING (1)		1100(673)	1200(773)	1700(1273)	1830(1403)						

DOC.8168-ED.6-2014-AMDT 8

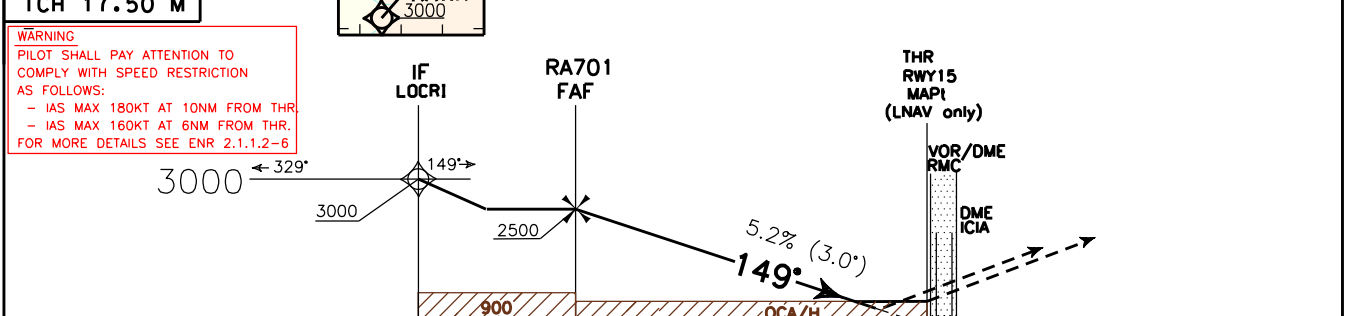
CHANGE: ROM VOR/DME RENAMED RMC

EGNOS CH 44100 E15A	APP	Roma Arrivals Roma Director	125.500	AD ELEV	LIRA ROMA/CIAMPINO RNP-Z RWY 15
	TWR	Ciampino TWR	131.250	427	
			120.500		



TRANSITION ALT 6000
TCH 17.50 M

MISSED APPROACH: At RWY15, turn right (IAS MAX 185KT) direct to RA703 (2000FT or above) then continue climbing to 3000 ft direct to RATIR Holding point.



16	15	14	13	12	11	10	9	8	7	6	5	4	3	2	1	0	1	2	3	4	5	6	7						
ICIA DME																THR ELEV 341							ICIA DME						
RMC DME																RMC DME							RMC DME						

OCA (OCH)		A	B	C	D	CIRCLING SECTORS 	GS	FT PER MIN	Dist THR	ALT(HGT)	MNM SECT ALT ARP
STRAIGHT IN APPROACH	LPV	830 (489)	840 (499)	850 (509)	860 (519)		80	425	6 NM	2309(1968)	
	LNAV/VNAV	830 (489)	840 (499)	850 (509)	860 (519)		100	530	5 NM	1990(1649)	
							120	635	4 NM	1672(1331)	
LNAV						140	740	3 NM	1354(1013)		
						160	850	2 NM	1035(694)		
CIRCLING (3)		1100(673)	1500(1073)	1700(1273)	1830(1403)						

TABULAR DESCRIPTION

RNP – Z RWY15

ADPRA6-43 CiampinoTSE.ATCdiscretion A2207. ADPRA6-43 CiampinoTSE.ATCdiscretion A2207.

Serial Number	Path Terminator	Waypoint Identifier	Fly Over	Course °M (°T)	Magnetic Variation	Distance (NM)	Turn Direction	Altitude (FT)	Speed Limit (KT)	VPA (°) / TCH (MT)	Navigation Specification
010	IF	RMC	-	-	-	-	-	+6000	-	-	RNP APCH
020	TF	RA711	-	360°(003.3°)	-	9.9	-	+4000	230	-	RNP APCH
030	TF	RA712	-	329°(332.2°)	-	3.5	-	+3000	210	-	RNP APCH
040	TF	RA407	-	239°(242.0°)	-	4.9	L	+3000	185	-	RNP APCH
050	TF	LOCRI	-	149°(152.7°)	-	2.5	L	+3000	185	-	RNP APCH
060	TF	RA701	-	149°(152.6°)	-	2.7	-	+ 2500	185	-	RNP APCH
070	TF	RWY15	Y	149°(152.6°)	-	6.6	-	@398 (4)	185	-3.0/17.5	RNP APCH
080	DF	RA703	-	-	-	-	-	+2000	-	-	RNP APCH
090	TF	RATIR	-	217°(220.2°)	-	3.3	-	+3000	-	-	RNP APCH
100	HM	RATIR	Y	315° (318.2°)	3	-	L	+3000	185	-	RNAV1

Path Terminator	Waypoint Identifier	Inbound Course °M (°T)	Leg Distance (NM) (1)	Timing(min.) / Waypoint Distance (NM) (2)	Turn Direction	Minimum Altitude (FT)	Maximum Altitude (FL)	Speed Limit (kt)	Magnetic Variation (°)	Navigation Specification
HM	LOCRI (3)	149.0° (152.6°)	3.3	1 /-	L	3000 (5)	-	185	3	RNAV1
HM	RMC	353.0° (173.0°)	4.2	1 /-	R	6000 (3) (6)	6000	-	3	RNAV1
HM	RATIR	315.0° (318.2°)	3.3	1 /-	L	3000	6000	185	3	RNAV1

(1) RNAV system with holding functionality

(2) RNAV system without holding functionality

(3) Entry on Track.

(4) THR Altitude plus TCH; for MA transition the value is according to the minima LNAV or LPV.

(5) MHA 6000FT for turbulence condition.

(6) MHA 4500FT ATC Discretion.

WAYPOINT LIST

RNP – Z RWY15

Waypoint Identifier	Coordinates
RA711	41°58'11.5"N 012°36'02.4"E
RA712	42°01'17.4"N 012°33'51.2"E
RA407	41°58'59.2"N 012°28'03.7"E
RA701	41°54'19.5"N 012°31'17.5"E
RWY15	41°48'28.95"N 012°35'19.81"E
RA703	41°43'27.7"N 012°29'50.0E

SBAS FAS DATA BLOCK LIRA RNP - Z RWY15

INPUT DATA	
PARAMETERS	VALUES
Operation Type	0
SBAS Provider	1
Airport Identifier	LIRA
Runway	15
Runway Letter	0
Approach Performance Designator	0
Route Indicator	Z
Reference Path Data Selector	0
Reference Path Identifier	E15A
LTP/FTP Latitude	414828.9505N
LTP/FTP Longitude	0123519.8140E
LTP/FTP Ellipsoidal Height (metres)	152.3
FPAP Latitude	414725.4880N
Delta FPAP Latitude (seconds)	-63.4625
FPAP Longitude	0123603.5845E
Delta FPAP Longitude (seconds)	43.7705
Threshold Crossing Height	17.50
TCH Units Selector	1
Glidepath Angle (degrees)	3.00
Course Width (metres)	105.00
Length Offset (metres)	0
HAL (metres)	40.0
VAL (metres)	35.0

OUTPUT DATA	
Data Block	10 01 12 09 0C 0F D0 00 01 35 31 05 2D 2B F1 11 0C 0D 67 05 F3 19 33 10 FE F5 55 01 5E 81 2C 01 64 00 C8 AF 41 99 DB 9B
Calculated CRC Value	4199DB9B

Required Additional Data (not CRC wrapped)

Parameters	Values
ICAO Code	LI
LTP/FTP Orthometric Height (metres)	103.9

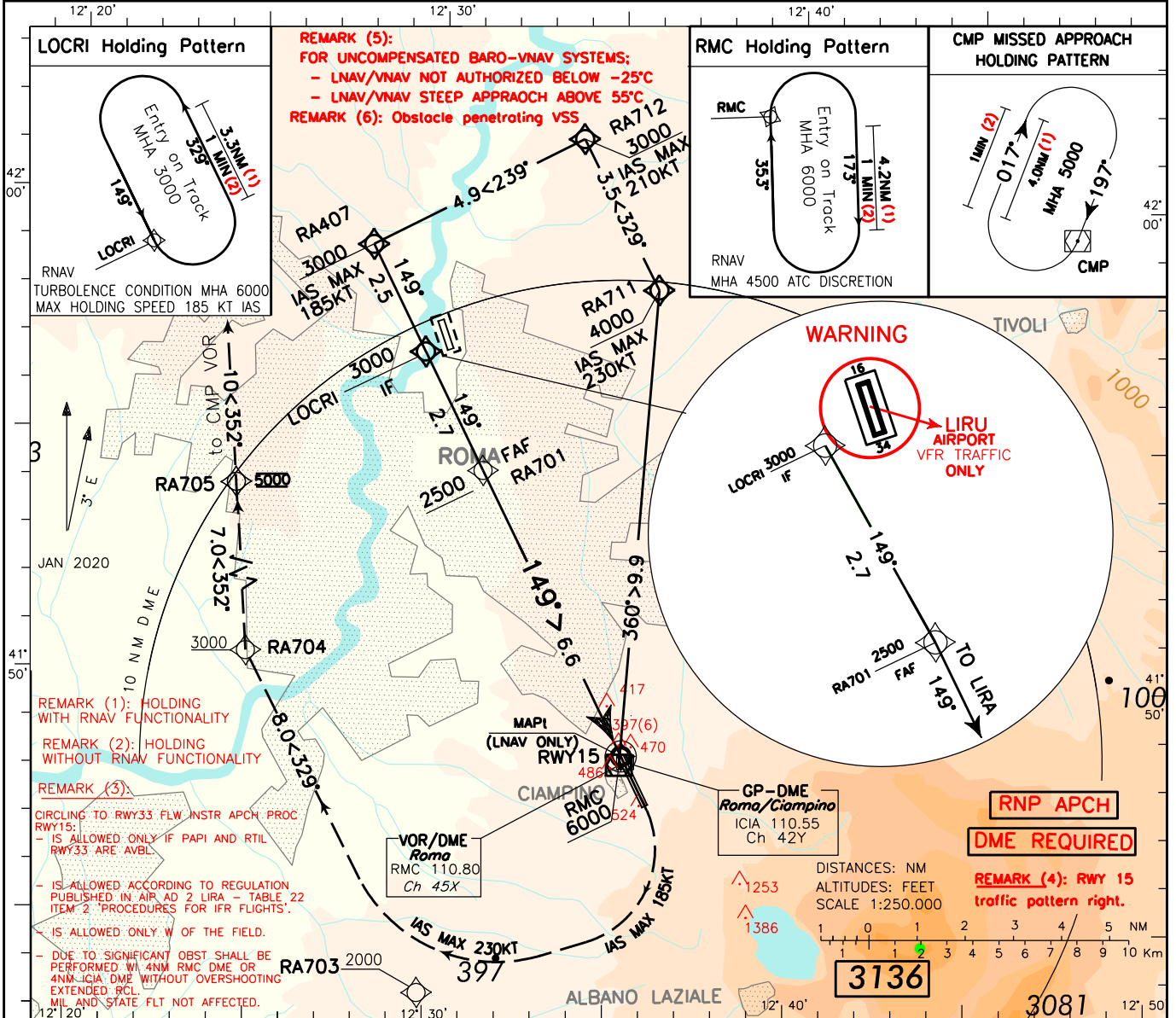
Intenzionalmente bianca

Intentionally left blank

DOC.8168-ED.6-2014-AMDT 7

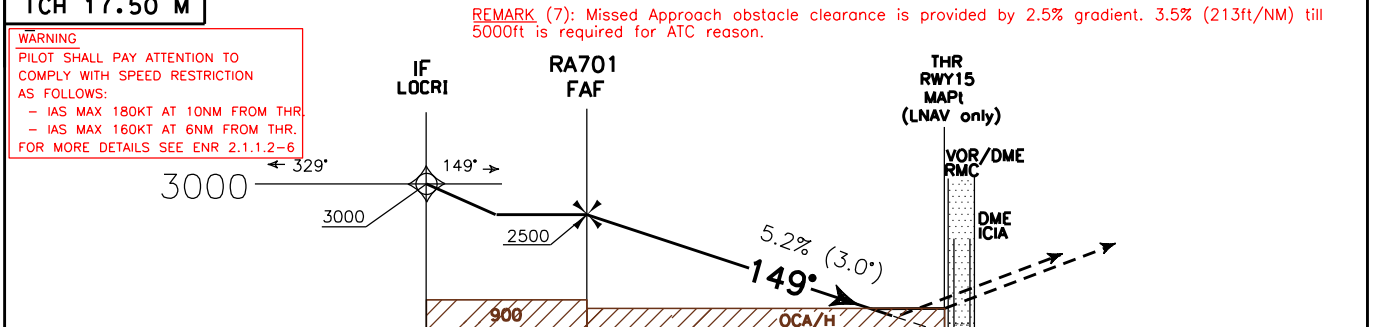
CHANGE: ROM VOR/DME RENAMED RMC

EGNOS CH 87887 E15B		APP Roma Arrivals Roma Director	125.500 131.250	AD ELEV 427	LIRA ROMA/CIAMPINO RNP -Y RWY 15
		TWR Ciampino TWR	120.500		



TRANSITION ALT 6000 **MISSED APPROACH:** At RWY15, turn right (IAS MAX 185KT) direct to RA703 (2000FT or above) then turn right (IAS MAX 230KT) direct to RA704 (3000FT or above), then turn right to RA705 (5000FT steady), then CMP VOR to be reached at 5000FT.

TCH 17.50 M



ICIA DME	16	15	14	13	12	11	10	9	8	7	6	5	4	3	2	1	0	1	2	3	4	5	6	7
RMC DME	16	15	14	13	12	11	10	9	8	7	6	5	4	3	2	1	0	1	2	3	4	5	6	7

OCA (OCH)		A	B	C	D	CIRCLING SECTORS 	GS	FT PER MIN	Dist THR	ALT(HGT)	MNM SECT ALT ARP
STRAIGHT IN APPROACH	LPV	830 (489)	840 (499)	850 (509)	860 (519)						
	LNAV/VNAV	830 (489)	840 (499)	850 (509)	860 (519)	100	530	5 NM	1990(1649)		
		LNAV	920 (579)				120	635	4 NM	1672(1331)	
CIRCLING (3)		1100(673)	1500(1073)	1700(1273)	1830(1403)	140	740	3 NM	1354(1013)		
						160	850	2 NM	1035(694)		

TABULAR DESCRIPTION

RNP – Y RWY15

Serial Number	Path Terminator	Waypoint Identifier	Fly Over	Course °M (°T)	Magnetic Variation	Distance (NM)	Turn Direction	Altitude (FT)	Speed Limit (KT)	VPA (°) / TCH (MT)	Navigation Specification
010	IF	RMC	-	-	-	-	-	+6000	-	-	RNP APCH
020	TF	RA711	-	360°(003.3°)	-	9.9	-	+4000	230	-	RNP APCH
030	TF	RA712	-	329°(332.2°)	-	3.5	-	+3000	210	-	RNP APCH
040	TF	RA407	-	239°(242.0°)	-	4.9	L	+3000	185	-	RNP APCH
050	TF	LOCRI	-	149°(152.7°)	-	2.5	L	+3000	185	-	RNP APCH
060	TF	RA701	-	149°(152.6°)	-	2.7	-	+ 2500	-	-	RNP APCH
070	TF	RWY15	Y	149°(152.6°)	-	6.6	-	@398 (4)	185	-3.0/17.5	RNP APCH
080	DF	RA703	-	-	-	-	-	+2000	230	-	RNP APCH
090	TF	RA704	-	329°(331.9°)	-	8.0	-	+3000	-	-	RNP APCH
100	TF	RA705	-	352°(355.2°)	-	7.0	-	@5000	--	-	RNP APCH
110	TF	CMP	-	352°(355.2°)	-	10.0	-	+5000	-	-	RNP APCH
120	HM	CMP	Y	197° (200.2°)	3	-	R	+5000	-	-	RNAV1

Path Terminator	Waypoint Identifier	Inbound Course °M (°T)	Leg Distance (NM) (1)	Timing(min.) / Waypoint Distance (NM) (2)	Turn Direction	Minimum Altitude (FT)	Maximum Altitude (FL)	Speed Limit (kt)	Magnetic Variation (°)	Navigation Specification
HM	LOCRI (3)	149.0° (152.6°)	3.3	1 / -	L	3000 (5)	-	185	3	RNAV1
HM	RMC	353.0° (173.0°)	4.2	1 / -	R	6000 (3)(6)	6000	-	3	RNAV1
HM	CMP	197.0° (200.2°)	4.0	1 / -	R	5000	-	-	3	RNAV1

(1) RNAV system with holding functionality

(2) RNAV system without holding functionality

(3) Entry on Track.

(4) THR Altitude plus TCH; for MA transition the value is according to the minima LNAV or LPV.

(5) MHA 6000FT for turbulence condition .

(6) MHA 4500FT ATC Discretion.

**WAYPOINT LIST
RNP - Y RWY15**

Waypoint Identifier	Coordinates
RA711	41°58'11.5"N 012°36'02.4"E
RA712	42°01'17.4"N 012°33'51.2"E
RA407	41°58'59.2"N 012°28'03.7"E
RA701	41°54'19.5"N 012°31'17.5"E
RWY15	41°48'28.95"N 012°35'19.81"E
RA703	41°43'27.7"N 012°29'50.0"E
RA704	41°50'28.7"N 012°24'48.9"E
RA705	41°57'27.4"N 012°24'01.5"E

SBAS FAS DATA BLOCK LIRA RNP – Y RWY15

INPUT DATA	
PARAMETERS	VALUES
Operation Type	0
SBAS Provider	1
Airport Identifier	LIRA
Runway	15
Runway Letter	0
Approach Performance Designator	0
Route Indicator	Y
Reference Path Data Selector	0
Reference Path Identifier	E15B
LTP/FTP Latitude	414828.9505N
LTP/FTP Longitude	0123519.8140E
LTP/FTP Ellipsoidal Height (metres)	152.3
FPAP Latitude	414725.4880N
Delta FPAP Latitude (seconds)	-63.4625
FPAP Longitude	0123603.5845E
Delta FPAP Longitude (seconds)	43.7705
Threshold Crossing Height	17.50
TCH Units Selector	1
Glidepath Angle (degrees)	3.00
Course Width (metres)	105.00
Length Offset (metres)	0
HAL (metres)	40.0
VAL (metres)	35.0

OUTPUT DATA	
Data Block	10 01 12 09 0C 0F C8 00 02 35 31 05 2D 2B F1 11 0C 0D 67 05 F3 19 33 10 FE F5 55 01 5E 81 2C 01 64 00 C8 AF 19 A9 67 DC
Calculated CRC Value	19A967DC

Required Additional Data (not CRC wrapped)

Parameters	Values
ICAO Code	LI
LTP/FTP Orthometric Height (metres)	103.9

DOC.8168-ED.6-2014-AMDT 8

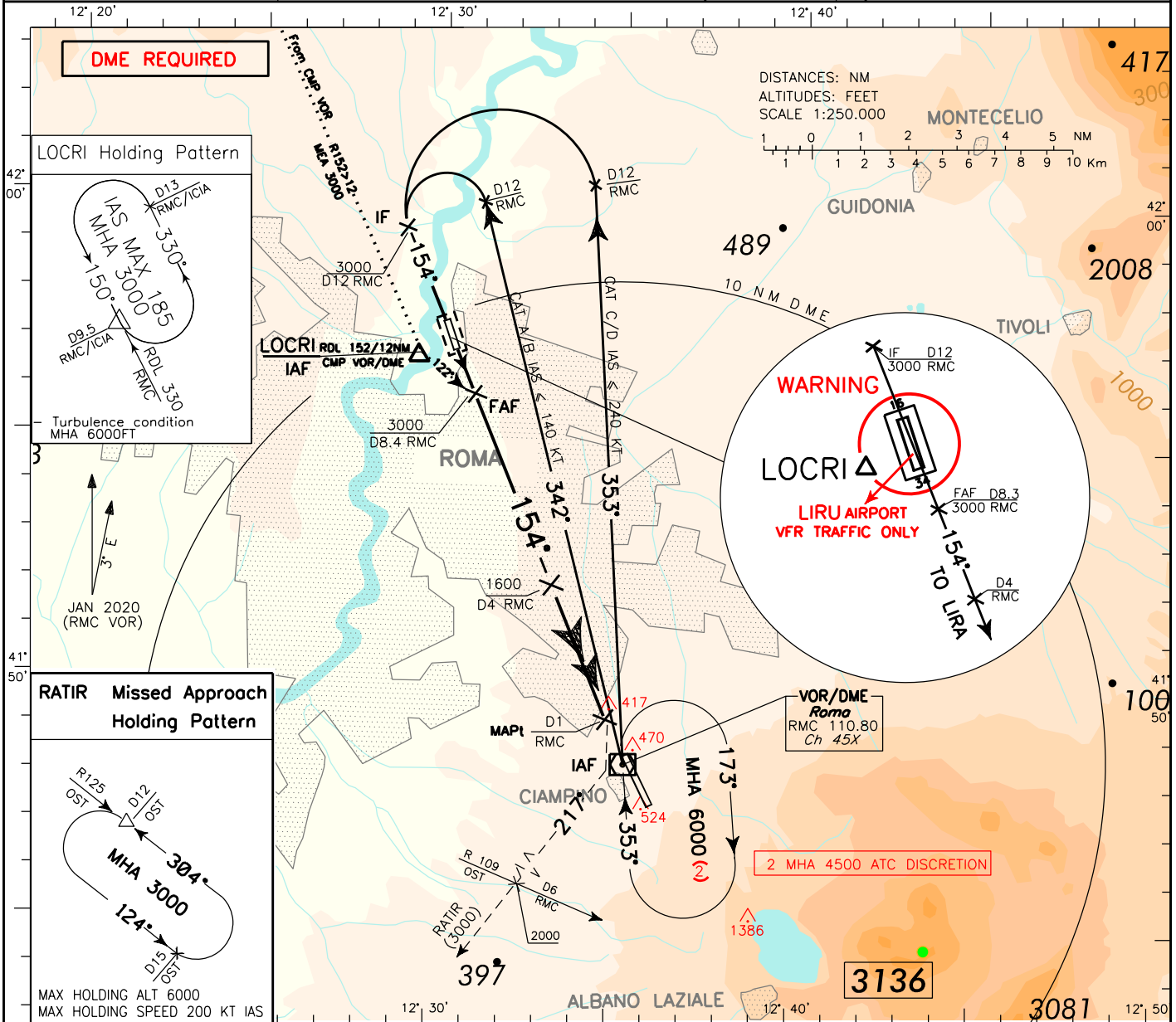
REMARK: RWY 15
traffic pattern right.

APP Roma Arrivals 125.500
Roma Director 131.250
TWR Ciampino TWR 120.500 (119.400)
ATIS Ciampino Arrival and Departure Information 122.425

AD ELEV 427

LIRA

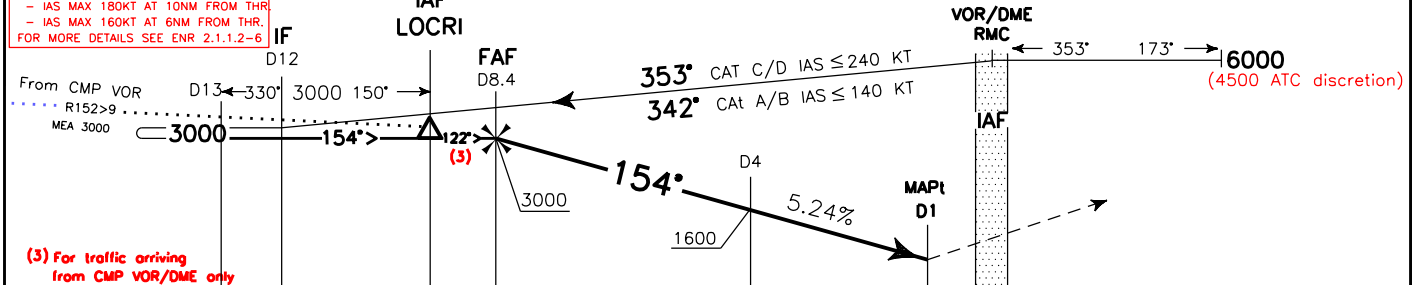
ROMA/CIAMPINO
VOR-Z RWY 15



TRANSITION ALT 6000

MISSED APPROACH: As soon as possible, not before MAPt, turn right (IAS MAX 185 kt) on RDL 217 RMC VOR to RATIR. Cross 6 NM RMC DME (RDL 109 OST VOR) at 2000 ft or above, RATIR at 3000 ft.

WARNING
PILOT SHALL PAY ATTENTION TO COMPLY WITH SPEED RESTRICTION AS FOLLOWS:
- IAS MAX 180KT AT 10NM FROM THR
- IAS MAX 160KT AT 6NM FROM THR.
FOR MORE DETAILS SEE ENR 2.1.1.2-6

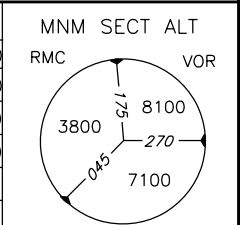


16	15	14	13	12	11	10	9	8	7	6	5	4	3	2	1	0	1	2	3	4	5	6	7
RMC DME																RMC DME							

OCA (OCH)	A	B	C	D
STRAIGHT IN APPROACH	VOR	750 (409)		
WARNING: TIMING NOT ALLOWED FOR DEFFINING MAPt				
CIRCLING (1)	1100(673)	1200(773)	1700(1273)	1830(1403)

REMARK (1):
CIRCLING TO RWY33 FLW INSTR APCH PROC RWY15:
- IS ALLOWED ONLY IF PAPI AND RTIL RWY33 ARE AVBL.
- IS ALLOWED ACCORDING TO REGULATION PUBLISHED IN AIP AD 2 LIRA - ITEM 20 LOCAL FLIGHT RESTRICTIONS.
- IS ALLOWED ONLY W OF THE FIELD.
- DUE TO SIGNIFICANT OBST SHALL BE PERFORMED W/ 4NM RMC DME WITHOUT OVERSHOOTING EXTENDED RCL. MIL AND STATE FLT NOT AFFECTED.

FT PER MIN	GS	FAF MAPt 7NM	DIST 7DME	ALT(HGT) 2564(2223)
425	80	5:15	6DME	2246(1905)
531	100	4:11	5DME	1928(1587)
637	120	3:30	4DME	1610(1269)
743	140	3:00	3DME	1292(951)
849	160	2:37	2DME	974(633)

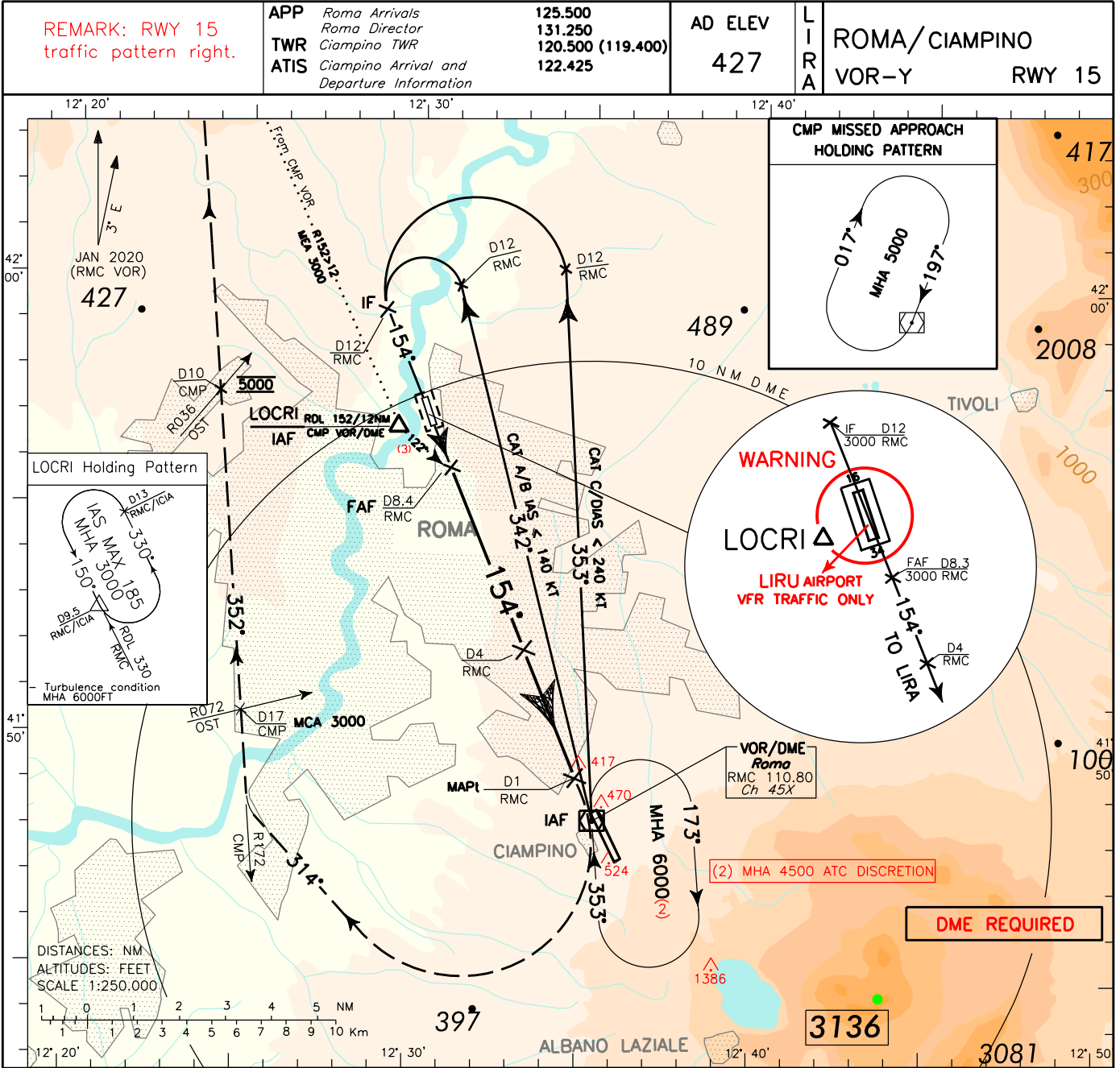


ICAO - INSTRUMENT APPROACH CHART

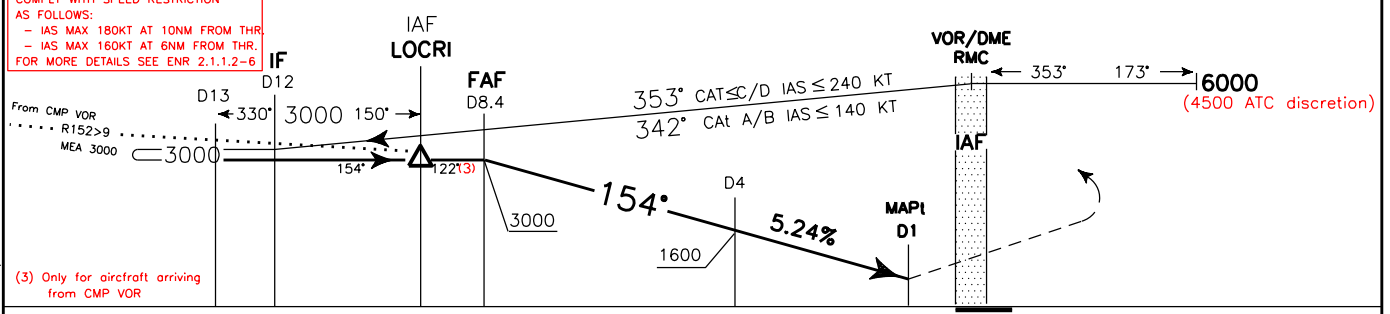
AD 2 LIRA 5-17

DOC.8168-ED.6-2014-AMDT 8

CHANGE: ROM VOR/DME RENAMED RMC



TRANSITION ALT 6000 MISSED APPROACH: As soon as possible, not before MAPt, turn right (IAS MAX 185 kt during turn), on TR 314° to intercept and follow RDL 172 CMP VOR bound to CMP VOR/DME climbing to 5000 ft. Cross RDL 172/17 NM CMP VOR/DME (RDL 072 OST VOR) at 3000 ft or above. Cross RDL 172/10 NM CMP VOR/DME (RDL 036 OST VOR) at 5000 ft steady.

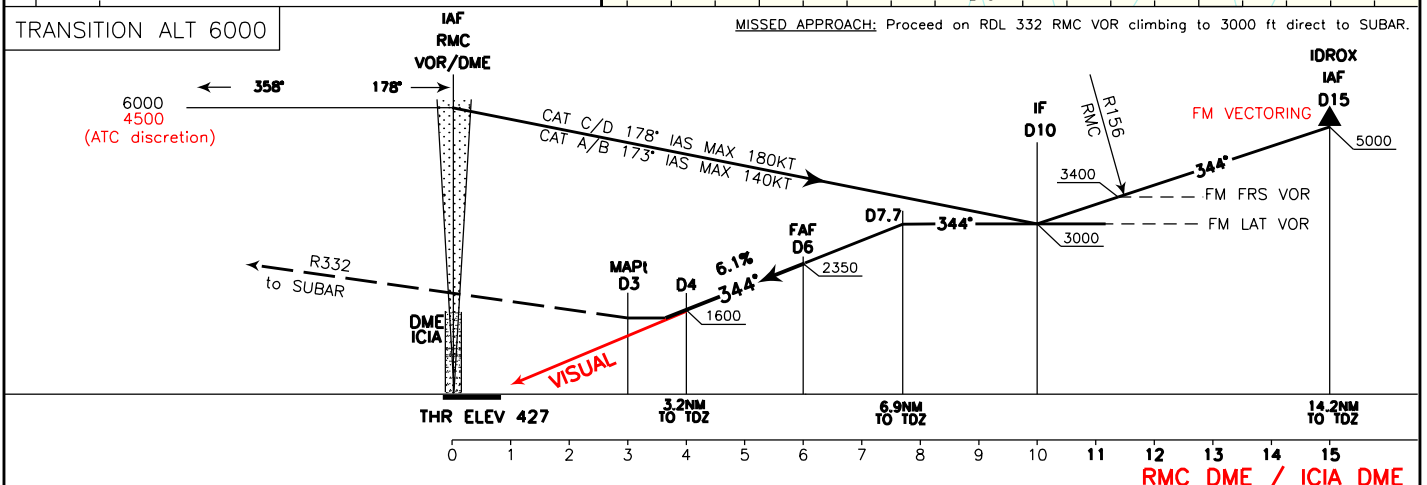
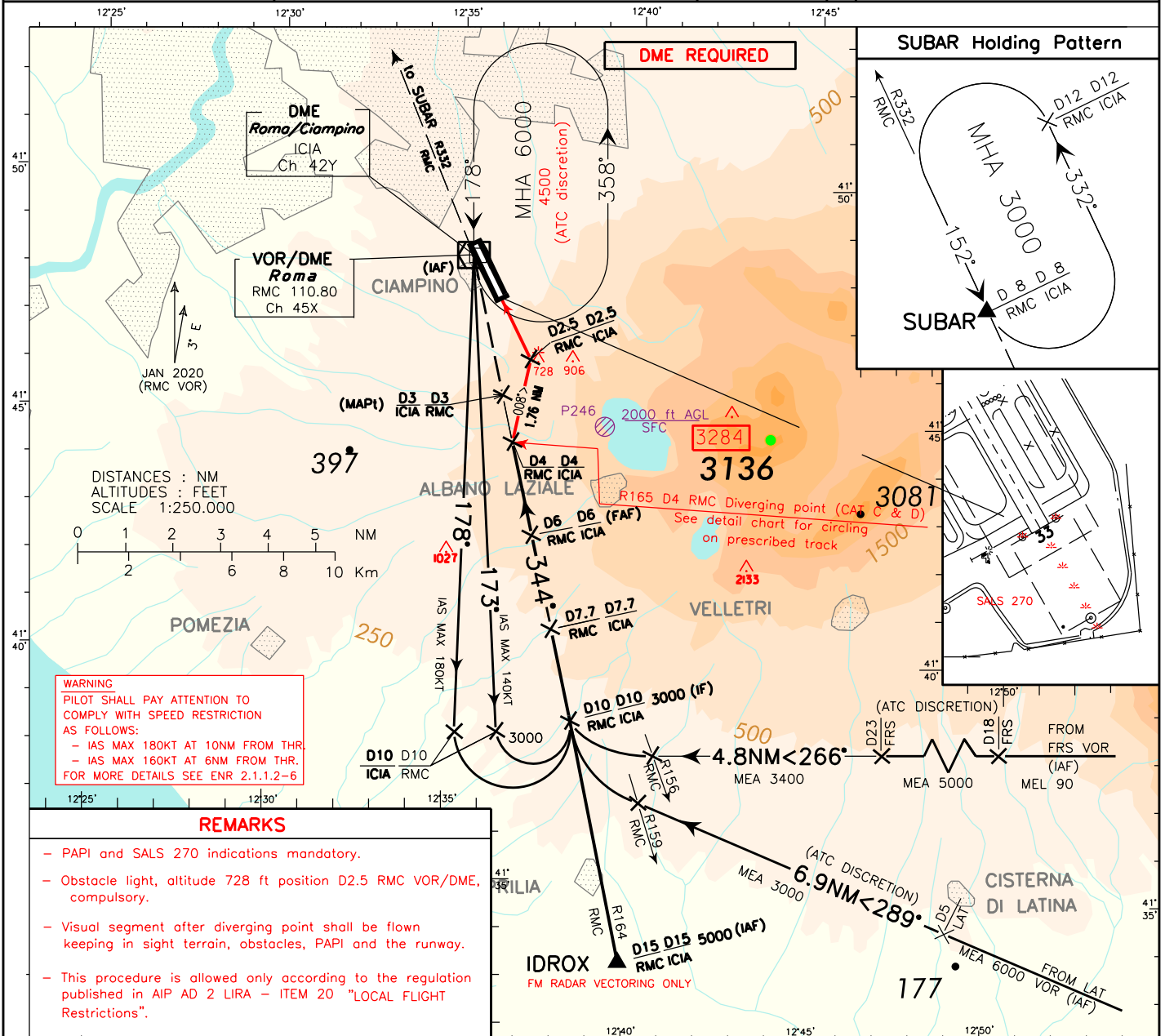


RMC DME																RMC DME															
---------	--	--	--	--	--	--	--	--	--	--	--	--	--	--	--	---------	--	--	--	--	--	--	--	--	--	--	--	--	--	--	--

* STRAIGHT IN APPROACH	OCA (OCH)	A	B	C	D	REMARK (1): CIRCLING TO RWY33 FLW INSTR APCH PROC RWY15: - IS ALLOWED ONLY IF PAPI AND RTIL RWY33 ARE AVBL. - IS ALLOWED ACCORDING TO REGULATION PUBLISHED IN AIP AD 2 LIRA - ITEM 20 LOCAL FLIGHT RESTRICTIONS. - IS ALLOWED ONLY W OF THE FIELD. - DUE TO SIGNIFICANT OBST SHALL BE PERFORMED W 4NM RMC DME WITHOUT OVERSHOOTING EXTENDED RCL. MIL AND STATE FLT NOT AFFECTED.	FT PER MIN	GS	FAF MAPt	DIST	ALT (HGT)	MNM SECT ALT RMC VOR
	CIRCLING (1)	1100(673)	1200(773)	1700(1273)	1830(1403)		425	80	5:15	6DME	2246(1905)	
							531	100	4:11	5DME	1928(1587)	
							637	120	3:30	4DME	1610(1269)	
							743	140	3:00	3DME	1292(951)	
							849	160	2:37	2DME	974(633)	

DOC.8168-ED.6-2014-AMDT 8

WARNING: (344)* is instrument final approach track not aligned with runway 33 longitudinal axis	APP	Roma Arrivals Roma Director	125.500	AD ELEV	427	LIRA ROMA/CIAMPINO ATC DISCRETION VOR A (CIRCLING) RWY 33
	TWR	Ciampino TWR	131.250			
	ATIS	Ciampino Arrival and Departure Information	120.500 (119.400) 122.425			



OCA (OCH)		A	B	C	D	FT PER MIN	GS	FAF MAP1 3NM	DIST	ALT(HGT)	MNM SECT ALT RMC VOR
1350 (923)											
CIRCLING ON PRESCRIBED TRACK						625	100	1:48	7DME	2725(2298)	
SEE DETAIL CHART						750	120	1:30	6DME	2350(1923)	
						875	140	1:17	5DME	1975(1548)	
						1000	160	1:08	4DME	1600(1173)	

VAC ROMA/CIAMPINO RWY 33
PRESCRIBED TRACK FOR
VISUAL MANOEUVRING TO RWY 33

REF IAC VOR A
(CIRCLING) RWY 33

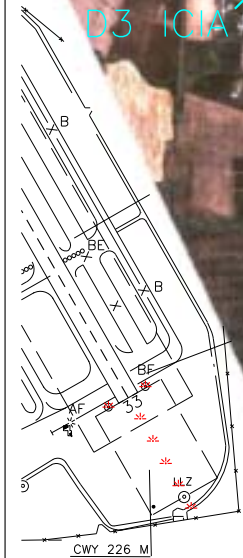
REMARKS:

- PAPI and SALS 270 indications mandatory.
- Obstacle light, altitude 728FT position D2.5 RMC VOR/DME, compulsory.
- Visual segment after diverging point shall be flown keeping in sight terrain, obstacles, PAPI and the runway.
- This procedure is allowed only according to the regulation published in AIP AD 2 LIRA ITEM 20 "LOC FLT Restrictions".

COORDINATES:

- (a): 41°44'22.80" N 012°36'30.75" E
- (b): 41°46'06.75" N 012°36'57.84" E

CHANGE: ROM VOR/DME RENAMED RMC



RWY 33 SALS 270
APPROACH LIGHTS

D2.5 RMC
D2.5 ICIA

(b)
728

905

1.77 NM
1.800

343°

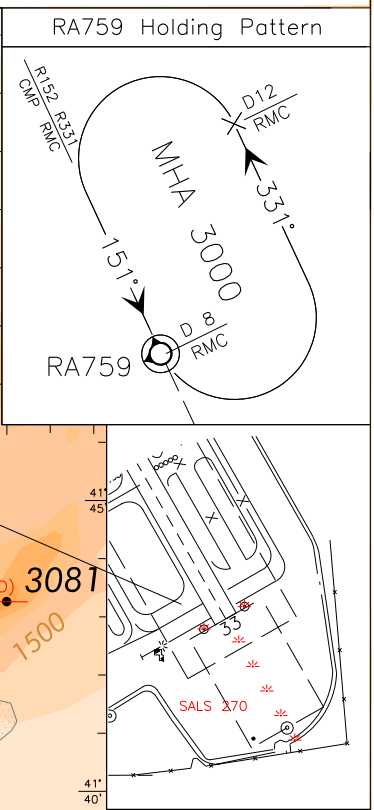
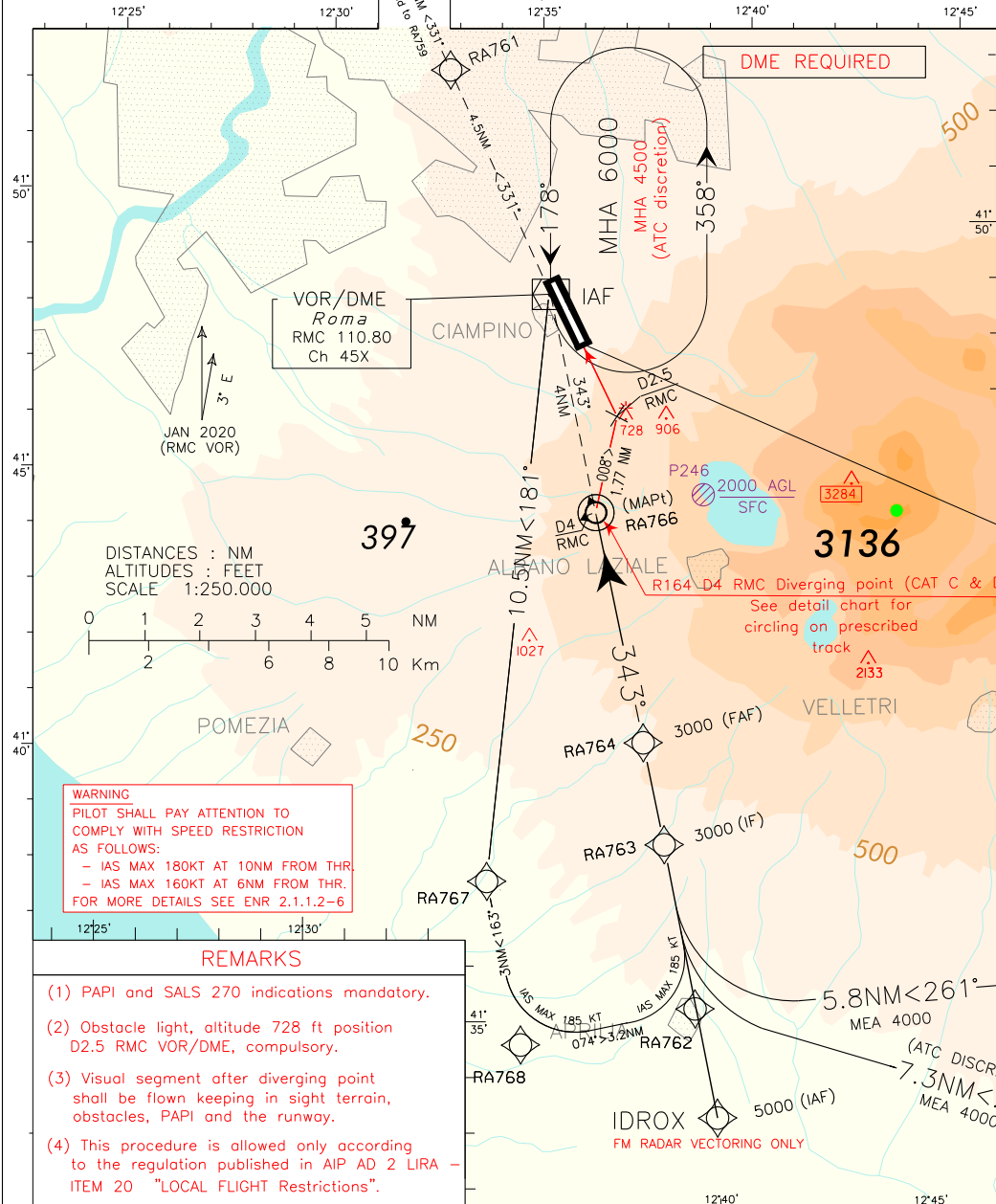
(a)
RA766 R164 D4 RMC or D4 ICIA DIVERGING POINT
N41442283 E012363075

ICAO – INSTRUMENT APPROACH CHART

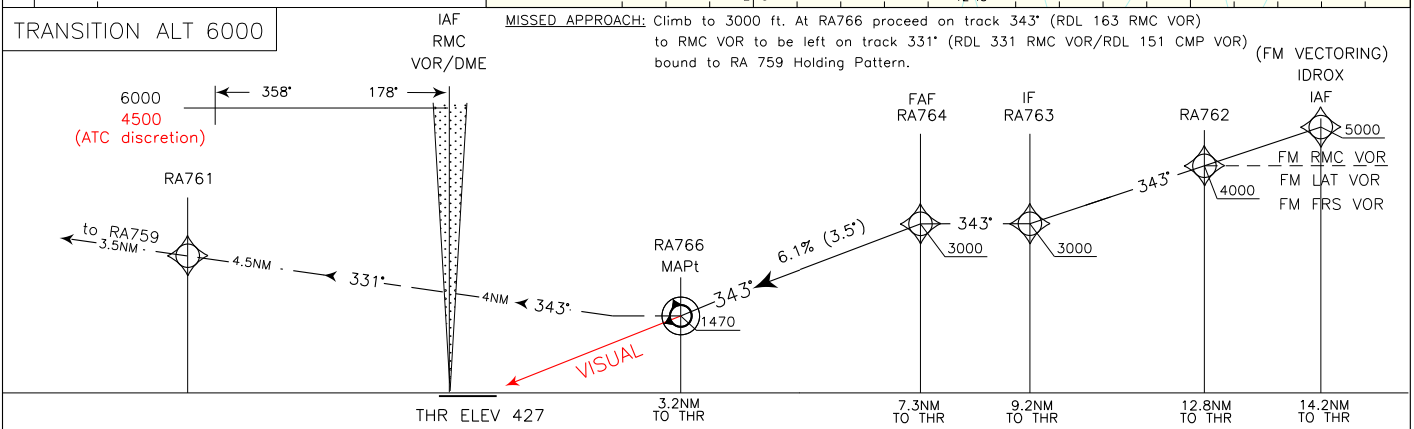
DOC.8168–ED.6–2014 AMDT 8
CHANGE: distance RA761 – RA759 modified

WARNING:
(A) 343° is instrument final approach track not aligned with runway 33 longitudinal axis

APP Roma Arrivals Roma Director	125.500	AD ELEV 427	L I R A	ROMA/CIAMPINO	
TWR Ciampino TWR	131.250			ATC DISCRETION	
ATIS Ciampino Arrival and Departure Information	120.500 (119.400) 122.425			RNP A (CIRCLING) RWY 33	



- REMARKS**
- (1) PAPI and SALS 270 indications mandatory.
 - (2) Obstacle light, altitude 728 ft position D2.5 RMC VOR/DME, compulsory.
 - (3) Visual segment after diverging point shall be flown keeping in sight terrain, obstacles, PAPI and the runway.
 - (4) This procedure is allowed only according to the regulation published in AIP AD 2 LIRA – ITEM 20 "LOCAL FLIGHT Restrictions".



OCA (OCH)	A	B	C	D
	1470 (1043)			

CIRCLING ON PRESCRIBED TRACK SEE DETAIL CHART	CIRCLING TO RWY 33 ON PRESCRIBED TRACK ONLY. SEE AD2 LIRA 5–21		MNM SECT 25NM ALT ARP	
	FT PER MIN	GS		FAP MAPt 4.1NM
	500	80		3:04 7.2
	620	100		2:28 6
	745	120		2:03 5
865	140	1:45 4	3800 8100 270 7100	
990	160	1:32 3.2		

Roma Ciampino RNP (GNSS) A RWY33 – Instrument Approach Procedure via LAT

Path Terminator	Waypoint identifier	Flyover	Course/Track °M (°T)	Turn Direction	Altitude Constraint (ft)	Speed Limit (kt)/Bank Angle	Recommended Navaid	Bearing/Range from Navaid	Distance from THR (NM)	Remarks
IF	LAT	-	-	-	-	-	-	-	-	-
TF	RA773	-	281 (284.9)	-	+6000	-	-	-	-	-
TF	RA762	-	281 (284.9)	-	+4000	-	-	-	-	-
TF	RA763	-	343 (346.8)	-	+3000	-	-	-	-	-
TF	RA764	-	343 (346.8)	-	+3000	-	-	-	-	-
TF	RA766	Y	343 (346.8)	-	-	-	-	-	-	MAPt
TF	RMC	-	343 (346.8)	-	-	-	-	-	-	-
TF	RA761	-	331 (334.3)	-	-	-	-	-	-	-
CF	RA759	-	331 (334.3)	-	3000	-	-	-	-	-

Missed Approach Holding RNAV RA759

Path Terminator	Waypoint identifier	Inbound Course °M(°T)	Leg Distance (NM) (1)	Timing(min.)/ Waypoint Distance (NM) (2)	Turn Direction	Minimum Altitude (FT)	Maximum Altitude (FL)	Speed Limit (kt)	Magnetic Variation (°)	Navigation Performance
HM	RA759	151 (154)	4.1	1 / -	L	3000	-	-	3	RNAV 1

Roma Ciampino RNP (GNSS) A RWY33 – Instrument Approach Procedure via IDROX

Path Terminator	Waypoint identifier	Flyover	Course/Track °M (°T)	Turn Direction	Altitude Constraint (ft)	Speed Limit (kt)/Bank Angle	Recommended Navaid	Bearing/Range from Navaid	Distance from THR (NM)	Remarks
IF	IDROX	-	-	-	5000	-	-	-	-	-
TF	RA763	-	343 (346.8)	-	+3000	-	-	-	-	-
TF	RA764	-	343 (346.8)	-	+3000	-	-	-	-	-
TF	RA766	Y	343 (346.8)	-	-	-	-	-	-	MAPt
TF	RMC	-	343 (346.8)	-	-	-	-	-	-	-
TF	RA761	-	331 (334.3)	-	-	-	-	-	-	-
CF	RA759	-	331 (334.3)	-	3000	-	-	-	-	-

Missed Approach Holding RNAV RA759

Path Terminator	Waypoint identifier	Inbound Course °M(°T)	Leg Distance (NM) (1)	Timing(min.)/ Waypoint Distance (NM) (2)	Turn Direction	Minimum Altitude (FT)	Maximum Altitude (FL)	Speed Limit (kt)	Magnetic Variation (°)	Navigation Performance
HM	RA759	151 (154)	4.1	1 / -	L	3000	-	-	3	RNAV 1

Roma Ciampino RNP (GNSS) A RWY33 – Instrument Approach Procedure via FRS

Path Terminator	Waypoint identifier	Flyover	Course/Track °M (°T)	Turn Direction	Altitude Constraint (ft)	Speed Limit (kt)/Bank Angle	Recommended Navaid	Bearing/Range from Navaid	Distance from THR (NM)	Remarks
IF	FRS	-	-	-	-	-	-	-	-	-
TF	RA771	-	261 (264.4)	-	+FL90	-	-	-	-	-
TF	RA772	-	261 (264.4)	-	+5000	-	-	-	-	-
TF	RA762	-	261 (264.4)	-	+4000	-	-	-	-	-
TF	RA763	-	343 (346.8)	R	+3000	-	-	-	-	-
TF	RA764	-	343 (346.8)	-	+3000	-	-	-	-	-
TF	RA766	Y	343 (346.8)	-	-	-	-	-	-	MAPt
TF	RMC	-	343 (346.8)	-	-	-	-	-	-	-
TF	RA761	-	331 (334.3)	-	-	-	-	-	-	-
CF	RA759	-	331 (334.3)	-	3000	-	-	-	-	-

Missed Approach Holding RNAV RA759

Path Terminator	Waypoint identifier	Inbound Course °M(°T)	Leg Distance (NM) (1)	Timing(min./Waypoint Distance (NM) (2)	Turn Direction	Maximum Altitude (FT)	Maximum Altitude (FL)	Speed Limit (kt)	Magnetic Variation (°)	Navigation Performance
HM	RA759	151 (154)	4.1	1 / -	L	3000	-	-	3.0	RNAV 1

Roma Ciampino RNP (GNSS) A RWY33 – Instrument Approach Procedure via RMC

Initial Approach Holding RNAV RMC VOR/DME

Path Terminator	Waypoint identifier	Inbound Course °M(°T)	Leg Distance (NM) (1)	Timing(min./Waypoint Distance (NM) (2)	Turn Direction	Maximum Altitude (FT)	Maximum Altitude (FL)	Speed Limit (kt)	Magnetic Variation (°)	Navigation Performance
HM	RMC	178 (181)	4.3	1 / -	L	6000 (*)	-	-	3.0	RNAV 1

(*) 4500 ATC discretion

Path Terminator	Waypoint identifier	Flyover	Course/Track °M (°T)	Turn Direction	Altitude Constraint (ft)	Speed Limit (kt)/Bank Angle	Recommended Navaid	Bearing/Range from Navaid	Distance from THR (NM)	Remarks
IF	RMC	-	-	-	6000 (*)	-	-	-	-	-
TF	RA767	-	181 (184.4)	-	-	-	-	-	-	-
TF	RA768	-	163 (166.7)	-	-	185	-	-	-	-
TF	RA762	-	074 (076.7)	L	+4000	185	-	-	-	-
TF	RA763	-	343 (346.8)	L	+3000	-	-	-	-	-
TF	RA764	-	343 (346.8)	-	+3000	-	-	-	-	-
TF	RA766	Y	343 (346.8)	-	-	-	-	-	-	MAPt
TF	RMC	-	343 (346.8)	-	-	-	-	-	-	-
TF	RA761	-	331 (334.3)	-	-	-	-	-	-	-
CF	RA759	-	331 (334.3)	-	3000	-	-	-	-	-

(*) 4500 ATC discretion

Missed Approach Holding RNAV RA759

Path Terminator	Waypoint identifier	Inbound Course °M(°T)	Leg Distance (NM) (1)	Timing(min./Waypoint Distance (NM) (2)	Turn Direction	Maximum Altitude (FT)	Maximum Altitude (FL)	Speed Limit (kt)	Magnetic Variation (°)	Navigation Performance
HM	RA759	151 (154)	4.1	1 / -	L	3000	-	-	3.0	RNAV 1

REMARKS:

- ⁽¹⁾RNAV system with holding functionality
⁽²⁾RNAV system without holding functionality

Waypoint	Latitude	Longitude
RA759	N41552694	E012303942
RA761	N41521926	E012324072
RA762	N41353610	E012391589
RA763	N41383228	E012382093
RA764	N41402212	E012374645
RA766	N41442283	E012363075
RA767	N41374817	E012341158
RA768	N41345292	E012350671
RA771	N41364471	E012533900
RA772	N41361373	E012470122
RA773	N41334520	E012483891